

# LIGHTOLIER® Deepcel Plus DPA2G9LS2FT or 22U

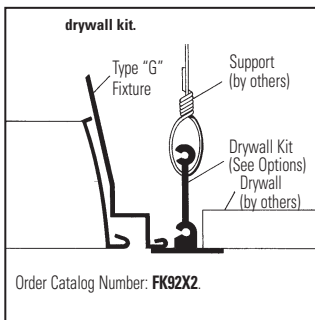
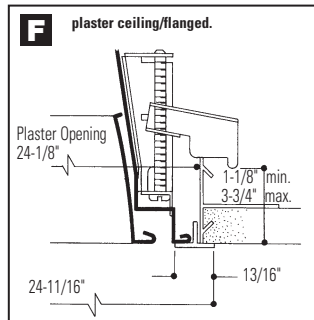
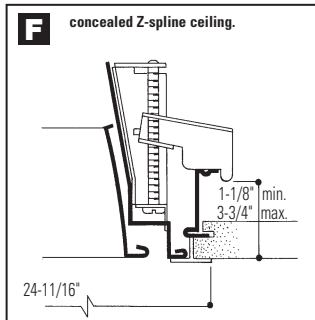
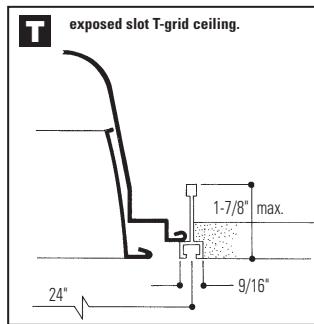
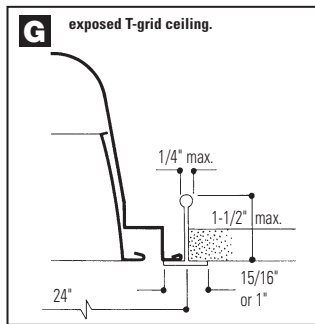
Page 1 of 2

2' x 2' Recessed Fluorescent, 3", 9 Cell Parabolic Louver  
Static or Air Supply/Return, 2 Lamp Twin Tube T5 or 1-5/8"U T8

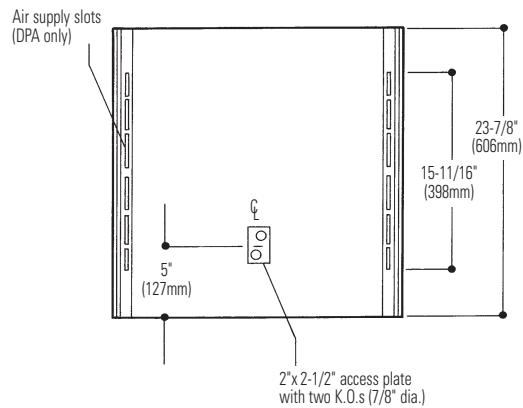
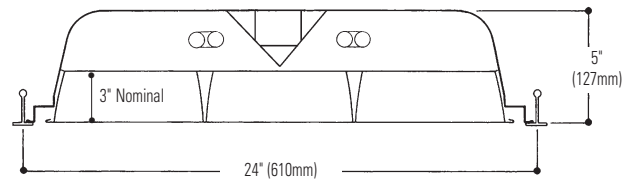
- 5" deep body.
- 74.3% efficient (2 lamp TT5).
- Clean contoured interior.
- Eyeleted heat removal vents in fixture ends.
- One piece housing.
- Black exterior for cooler ballast operating temperature.
- Hemmed over side rails for safe handling.
- Fixture ends turned-in for safe handling.
- Built-in earthquake clips.
- Pre-anodized aluminum parabolic louver.
- Vertical grain louver eliminates reflected lamp images on cross baffle.
- Spring loaded latches.
- 18 gauge steel hinges.
- Louver frame with integral positive light stop.
- Louver has protective film dust guard.
- Construction to meet NYC Code or Chicago Plenum requirements is available.



## Mounting Methods



## Dimensions



## Job Information

## Type:

**Job Name:**

**Cat. No.:**

**Lamp(s):**

**Volts/Ballast:**

For Factory Technical Information: (978) 657-7600 • Fax (978) 658-0595  
631 Airport Road, Fall River, MA 02720 • (508) 679-8131 • Fax (508) 674-4710  
We reserve the right to change details of design, materials and finish.  
www.lightolier.com © 2009 a Philips Group

09/09

Section 2/Folio G51-22 Rev. B

# LIGHTOLIER® Deepcel Plus DPA2G9LS2FT or 22U

Page 2 of 2


2' x 2' Recessed Fluorescent, 3", 9 Cell Parabolic Louver  
Static or Air/Return, 2 Lamp Twin Tube T5 or 1-5/8"U T8

## Photometry

Model No. DPA2G9LS2FT120SB

LER = FP - 58.8 IW - 68.5 BF - 0.86

Comparative yearly lighting energy cost per 1000 lumens = \$4.08



46 Industrial Way  
Wilmington, MA 01887  
(978) 657-7600

REPORT NO.: G00061      DATE: 03-30-2000  
 CATALOG NO.: DPA2G9LS2FT120SB  
 LAMP(S): 2 F40/30BX/SPX3, EACH RATED 3150 LUMENS.  
 LUMINAIRE: 2X2 TROFFER WITH 3X3 9 CELL LI-SEMI-SPECULAR LOUVER.  
 1 COVER AND 2 BIAX LAMPS  
 FEEDER C2401120RH  
 0.58 AMPS 68.5 WATTS

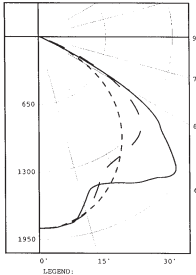
CANDELA DISTRIBUTION		FLUX		
0.0	22.5	45.0	67.5	90.0
0	1841	1841	1841	1841
5	1835	1835	1836	1840
15	1744	1751	1747	1696
25	1589	1571	1452	1506
35	1373	1299	1385	1592
45	1104	1065	1357	1668
55	748	834	1115	1280
65	233	321	407	316
75	27	32	30	29
85	4	5	6	5
90	0	0	0	0

**ZONAL LUMEN SUMMARY**

ZONE	LUMENS	%LAMP	%FIXT
0- 30	1366	21.7	29.2
0- 40	2277	36.1	48.6
0- 60	4296	68.2	91.7
0- 90	4683	74.3	100.0
90-180	0	0.0	0.0
0-180	4683	74.3	100.0

TOTAL LUMINAIRE EFFICIENCY = 74.3 %  
 TOTAL REFLECTANCE OF PAINT = 90.0 %  
 CIE TYPE - DIRECT  
 PLANE : 0-DEG 90-DEG  
 SPACING CRITERIA : 1, 2 1, 4  
 SHIELDING ANGLES : 23 23  
 PLANE : 0-DEG 90-DEG  
 LUMINOUS LENGTH : 21.000 21.000

LUMINAIRE DATA IN CANDELA/SQ M  
 ANGLE AVERAGE AVERAGE  
 IN DEG 0-30 45-DEG 90-DEG  
 45 5486. 6743. 9207.  
 55 4582. 6830. 8668.  
 65 1937. 3384. 2120.  
 75 367. 407. 394.  
 85 161. 242. 202.



THIS REPORT IS BASED ON PUBLISHED INDUSTRY PROCEDURES - FIELD PERFORMANCE MAY VARY FROM LABORATORY PERFORMANCE.

### coefficients of utilization — zonal cavity method

	20			50			80		
	RF	RC	RW	RF	RC	RW	RF	RC	RW
1	82	79	77	75	73	71	72	70	69
2	76	70	66	66	63	60	64	61	59
3	69	62	57	59	55	51	57	53	50
4	64	56	50	53	48	44	51	47	43
5	59	50	43	47	42	38	46	41	38
6	54	45	38	43	37	33	41	37	33
7	50	40	34	39	33	29	38	33	29
8	47	37	31	35	30	26	34	30	26
9	43	34	28	32	27	24	32	27	23
10	41	31	25	30	25	21	29	25	21

### visual comfort probability (VCP) average 100 fc; reflectances 80/50/20

room size	ceiling height	ceiling height				ceiling height			
		8.5	10.0	13.0	16.0	8.5	10.0	13.0	16.0
20	20	61	55	53	64	56	49	41	52
20	30	65	59	54	54	61	54	46	42
20	40	68	62	58	56	64	58	51	46
20	60	71	65	61	59	67	61	55	50
30	20	67	60	52	59	64	55	44	52
30	30	70	63	53	51	67	59	48	43
30	40	73	66	58	53	70	63	53	47
30	60	75	69	61	56	72	65	57	51
30	80	77	71	64	59	74	68	60	54
40	20	71	64	57	58	67	61	49	53
40	30	73	67	58	51	70	63	53	45
40	40	76	70	61	53	73	66	57	49
40	60	77	72	64	56	75	69	60	52
40	80	79	74	66	59	76	71	63	55
40	100	80	75	69	62	78	72	65	58
60	30	75	70	61	54	72	66	57	49
60	40	77	72	64	56	75	69	61	52
60	60	79	74	67	59	76	71	63	55
60	80	80	76	69	61	78	73	66	58
60	100	81	77	71	64	79	75	68	61
100	40	78	73	67	60	75	70	64	56
100	60	80	75	70	63	77	73	67	60
100	80	81	77	72	65	79	75	69	62
100	100	82	79	74	67	80	76	71	65

## Ordering Information

Explanation of Catalog Number. Example: DPA2G9LS2FTUNVIB

[ ]	[ ]	2	[ ]	9	[ ]	S	2	[ ]	[ ]	-	[ ]
<b>Deepcel Plus Parabolic:</b> Pre-anodized aluminum louver	<b>Body Style:</b> A=Air Supply S=Static	<b>Fixture Width</b>	<b>Ceiling Type:</b> G= Grid (lay-in T bar) F= Flanged (over lap) Z spline and plaster frame T= Slot grid or two-directional concealed T (see options)	<b>Number of Cells:</b> 9-3 rows of 3	<b>Louver Finish:</b> L = Low iridescence Semi-specular (standard) P = Low iridescence Specular W = White Baked Polyester Powder	<b>Single "V" Reflector</b>	<b>Lamp Quantity</b>	<b>Lamp Type/ Fixture Length:</b> FT = Twin Tube T5 2U = 1-5/8"U T8 (Nominal 24") <b>Note:</b> For Linear T5 Lamp option, consult factory	<b>Voltage:</b> 120, 277 or UNV=120-277	<b>Ballast Type:</b> <20THD SB * IB * <10THD SO * HI * PS - PB -	<b>Options:</b> Add appropriate suffix to catalog no., ie: (C)
<b>DP</b> Standard Deepcel											
<b>DY</b> For NYC Code - I.B.E.W. Manufactured											
<b>ND</b> For NYC Code - Local 3 Manufactured 5 1/2" Deep Body											

## Options/Accessories

**Plaster Frame:** Catalog Number: PF22

**Continuous Row Installation:** For F type fixtures, half width flanges are required between fixtures. Order Catalog Number: 2FC TRIM CSP (each joint).

**Radio Interference Filter:** To order one RIF per fixture; SUFFIX: R. To order one RIF per ballast; SUFFIX: B.

**Electrical Wiring Options:** Consult factory.

**Air Closure Strip:** SUFFIX: ACS2 (factory installed).

**Drywall Kit:** Order Catalog Number: FK92X2. (Request Folio OA30-10 Rev. A).

**Chicago Plenum:** SUFFIX: C.

## Specifications

**Performance:** In an installation of 2 lamp 40W luminaires in a room cavity ratio of 1, reflectance 80% ceiling, 50% wall, 20% floor, the C.U. shall not be less than .79. To prevent glare the VCP shall be not less than 76 either lengthwise or crosswise (at 100fc level) and the average brightness at 65° shall not exceed 3384 candelas per square meter. To control veiling reflections, luminaire output in the 30°-90° zone shall not be less than 70.8%.

**Air Handling (DPA only)** side air passages for air supply or air return. Supply air is discharged vertically. Optional side closure strips. Air return is also provided through the lamp compartment through fixture body ends.

## Specifications (continued)

**Materials:** Chassis parts are die-formed code gauge cold rolled steel. Housing is ribbed for rigidity with side rails hemmed over and housing ends turned-in for safe handling. Louver is pre-anodized aluminum.

**Finish:** Chassis exterior—black baked polyester enamel. Cavity—white baked polyester enamel minimum 86% reflectance. Rust preventative undercoating. Louver—low iridescence semi-specular anodized vertical grain aluminum reflector sheet is standard.

**Electrical:** Thermally protected class "P" ballast C.B.M. approved, non PCB. If K.O. is within 3" of ballast, use wire suitable for at least 90°.

**Labels:** I.B.E.W. UL and ULc Listed. UL listed for damp locations.

This product may have a mercury containing lamp.

Manage in accord with Disposal Laws. See: www.lamprecycle.org

## Job Information

## Type:

For Factory Technical Information: (978) 657-7600 • Fax (978) 658-0595  
 631 Airport Road, Fall River, MA 02720 • (508) 679-8131 • Fax (508) 674-4710

We reserve the right to change details of design, materials and finish.

www.lightolier.com © 2009 a Philips Group

Section 2/Folio G51-22 Rev. B